


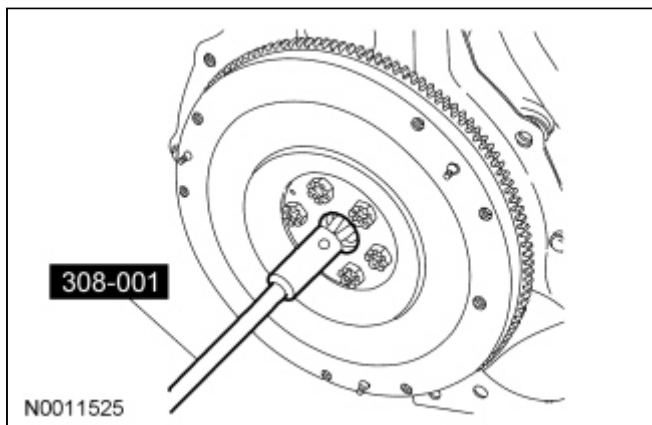
Pilot Bearing

Special Tool(s)

 ST1282-A	Remover, Pilot Bearing 308-001 (T58L-101-B)
---	--

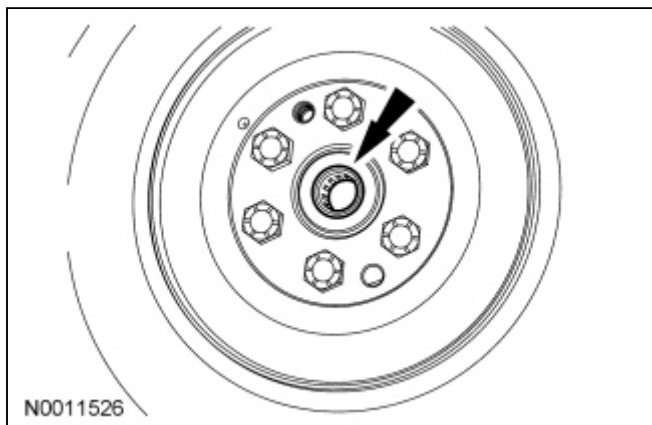
Removal

1. Remove the clutch disc and the clutch pressure plate. For additional information, refer to [Clutch Disc and Pressure Plate — 4.0L](#), [Clutch Disc and Pressure Plate — 4.6L](#) or [Clutch Disc and Pressure Plate — 5.4L](#) in this section.
2. Using the Pilot Bearing Remover, remove the pilot bearing.



Installation

1. Position the pilot bearing to the crankshaft. Using a suitable driver, install the pilot bearing.



2. Install the clutch disc and the clutch pressure plate. For additional information, refer to [Clutch Disc and Pressure Plate — 4.0L](#), [Clutch Disc and Pressure Plate — 4.6L](#) or [Clutch Disc and Pressure Plate — 5.4L](#) in this section.

